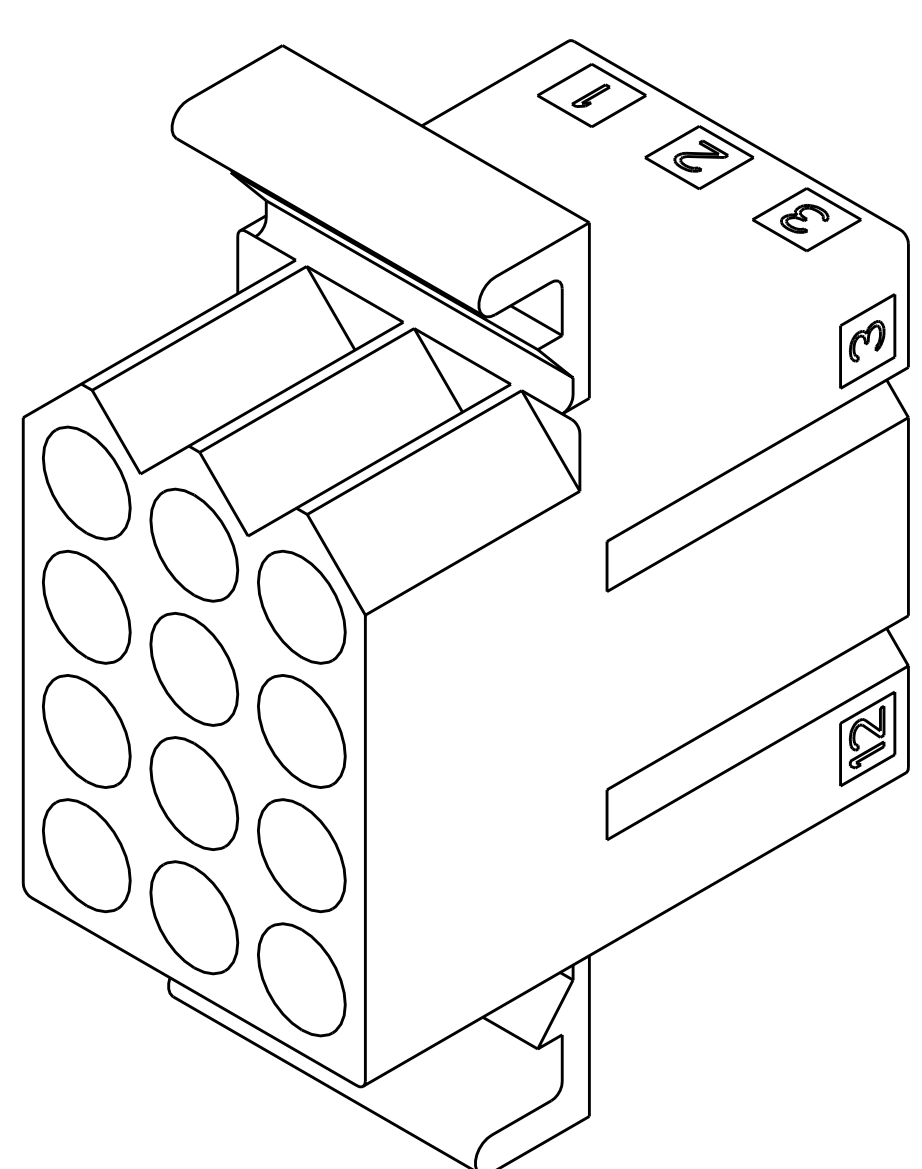
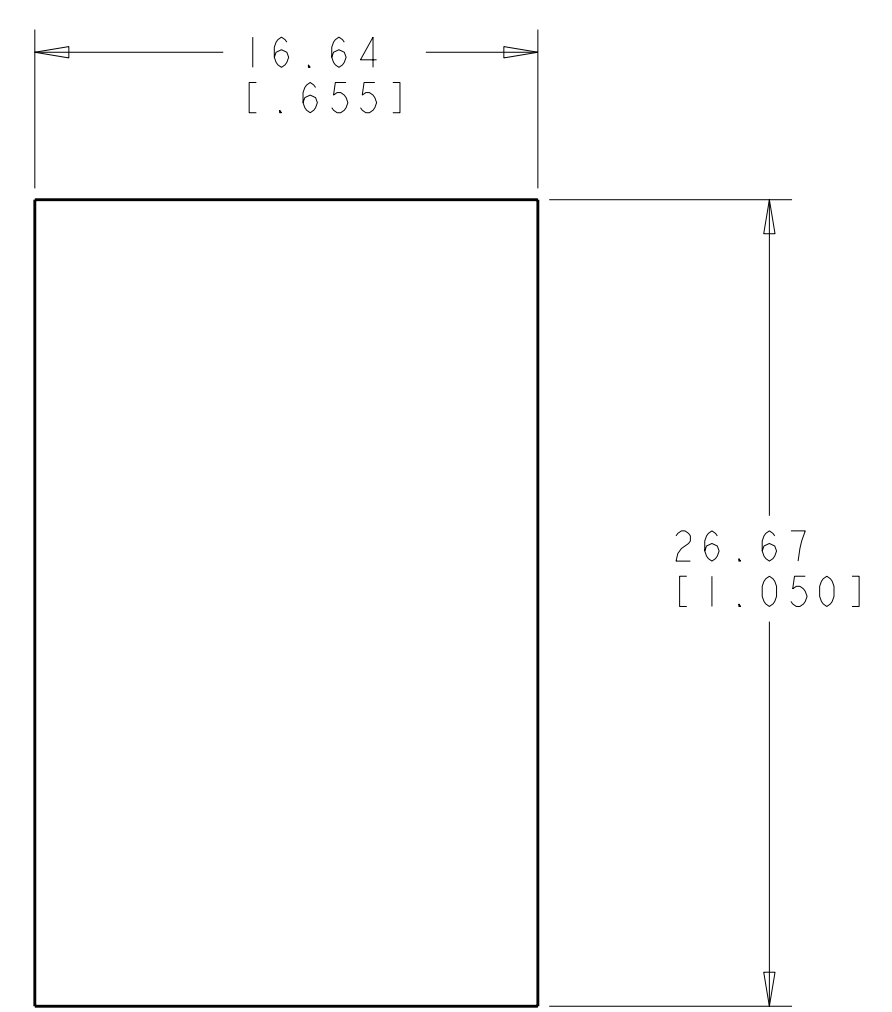
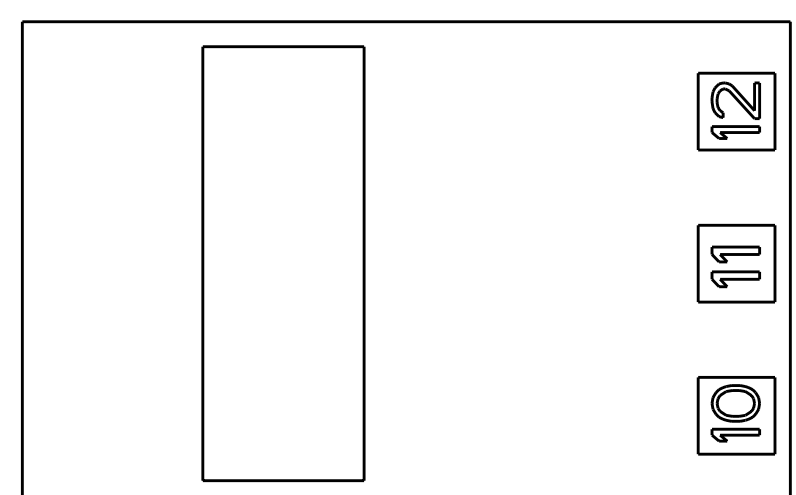
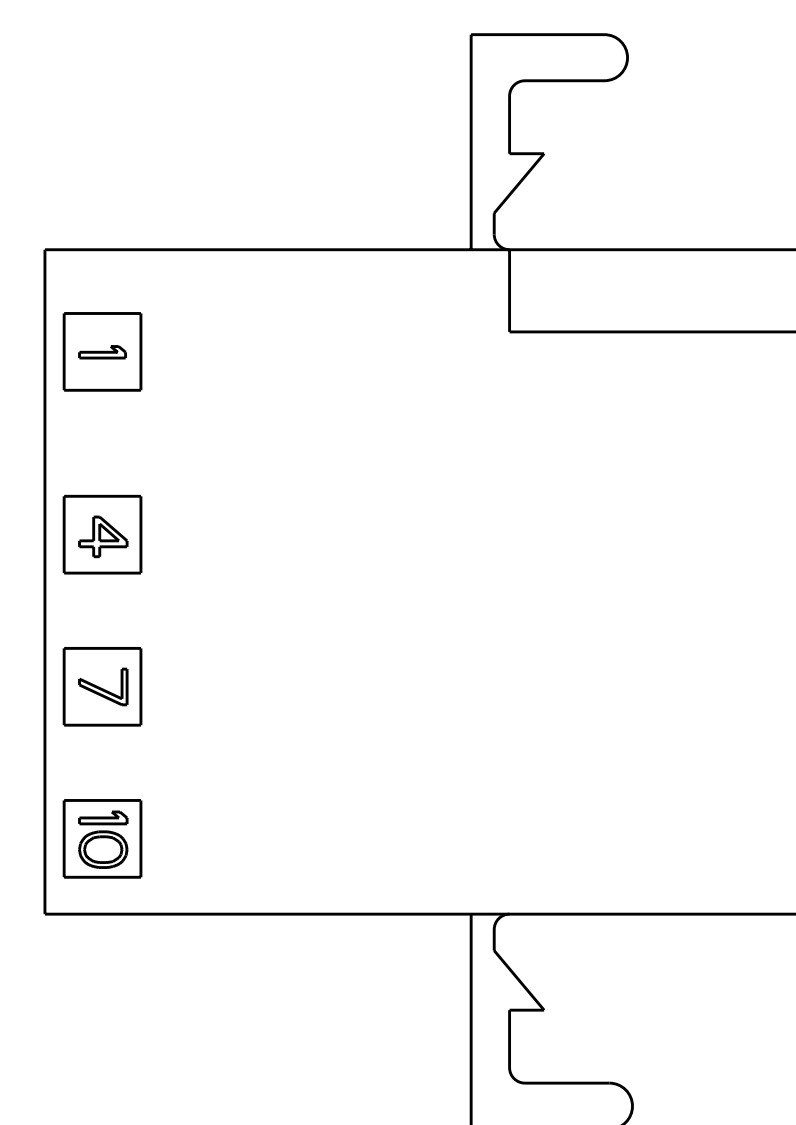
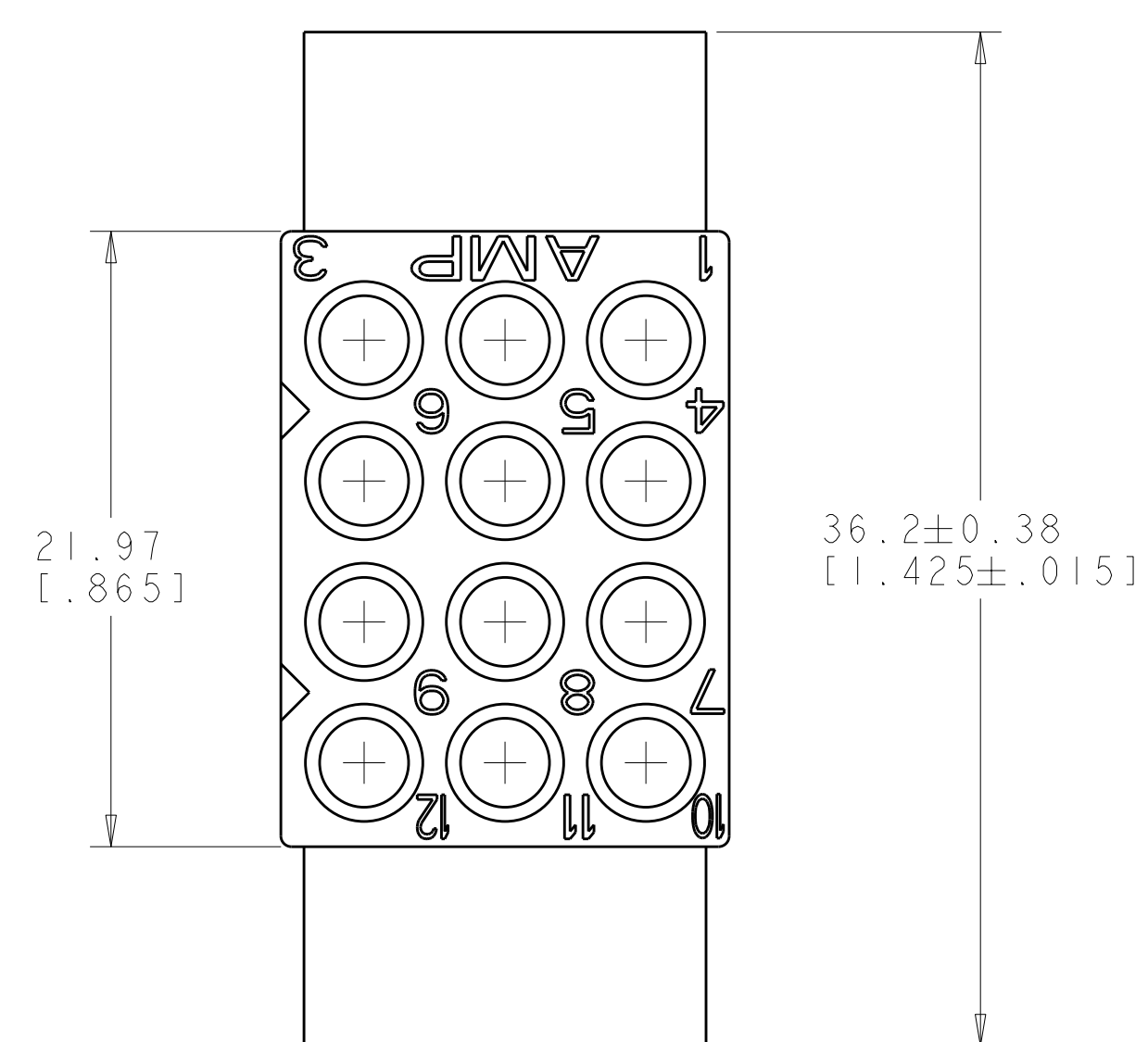
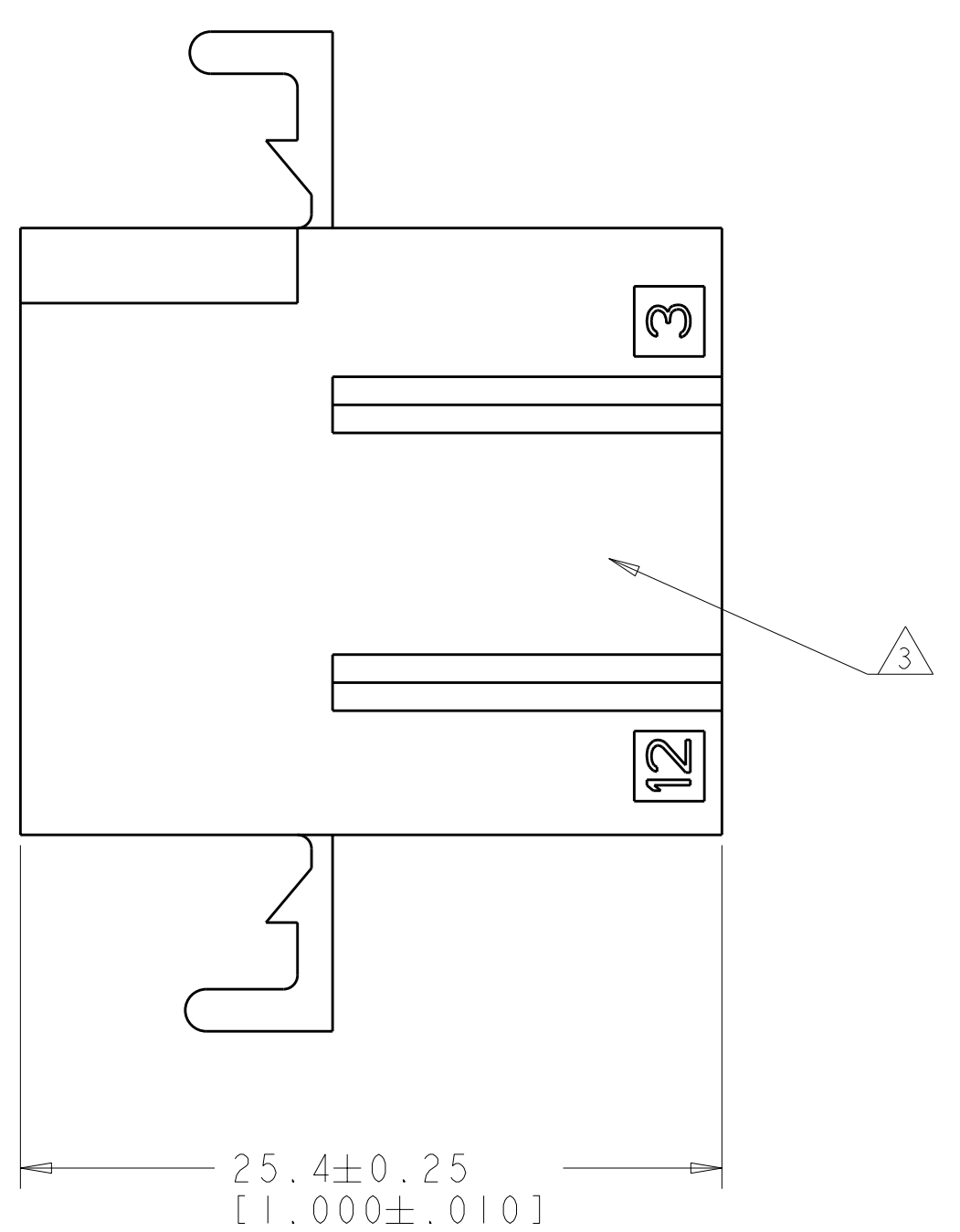
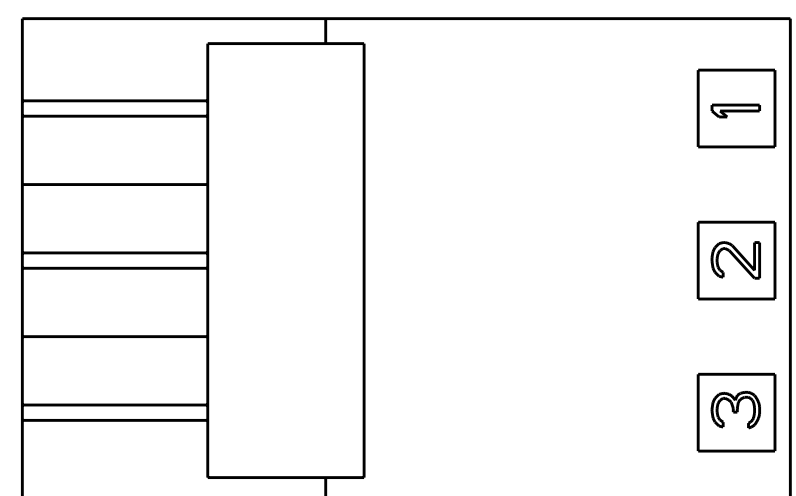
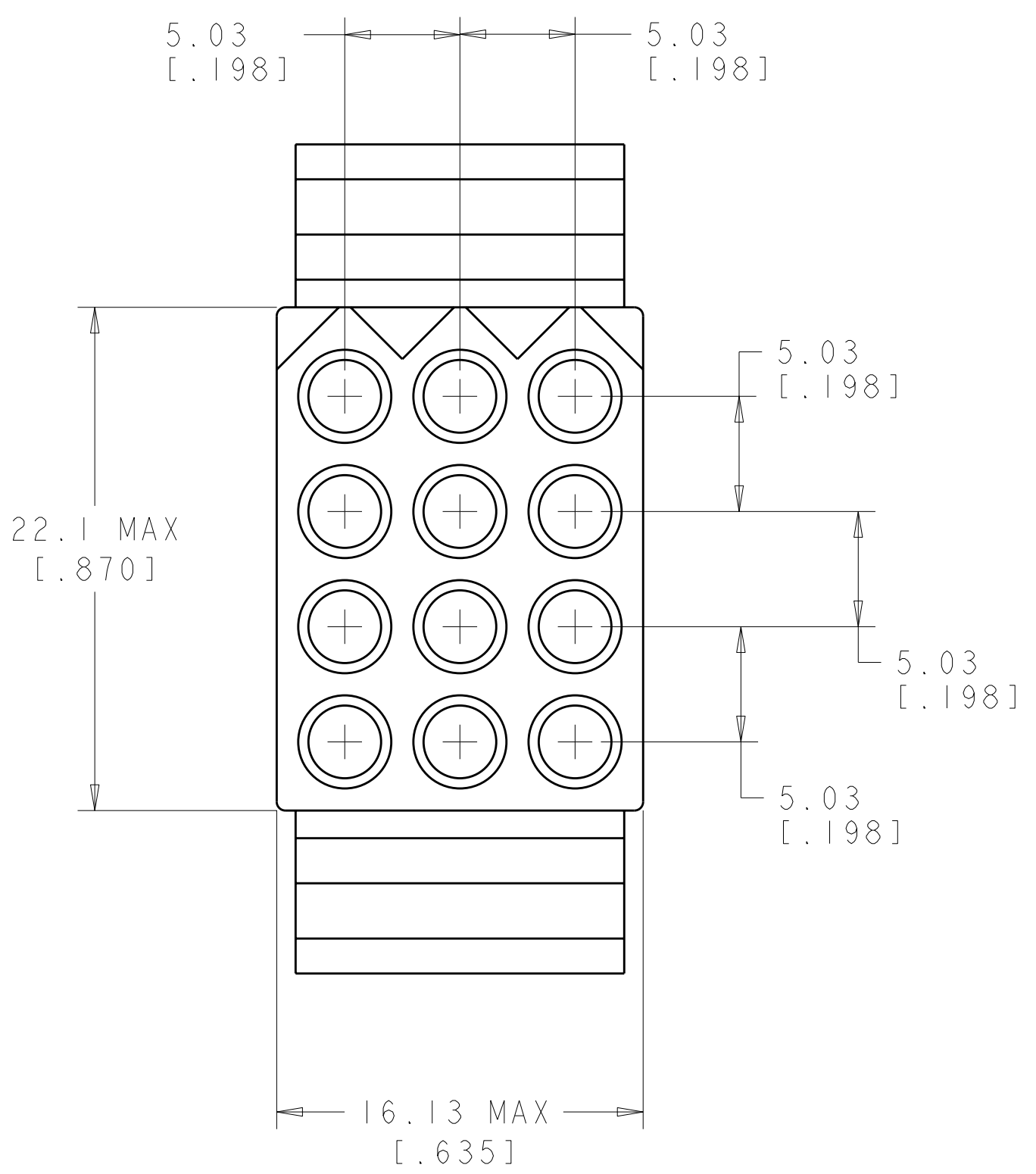


LOC	DIST	REV	DATE	DWN	APVD
CM	00	F	ECO-07-020239	28AUG2007	KW CC

- 1 MATERIAL: NYLON UL94V-2 (NATURAL).
- 2. RECOMMENDED PANEL THICKNESS 2.29 [1.090] MAX.
- 3 MARKING FOR UL LOGO AND CSA LOGO LOCATED APPROXIMATELY AS SHOWN.



RECOMMENDED PANEL CUTOUT



0.571 IN ³	770097-1
VOLUME	PART NUMBER

<small>THIS DRAWING IS UNPUBLISHED. RELEASED FOR PUBLICATION BY TYCO ELECTRONICS CORPORATION. ALL RIGHTS RESERVED.</small>		DWN: R. WHITAKER 28AUG2007 CHK: C. CASH 28AUG2007 APVD: C. CASH 28AUG2007		Tyco Electronics Harrisburg, PA 17105-3608	
DIMENSIONS: mm [INCHES]		TOLERANCES UNLESS OTHERWISE SPECIFIED:		NAME: RECEPTACLE, 12 CIRCUIT, .093 COMMERCIAL PIN AND SOCKET	
9 PLC ± 1 PLC ± 5 PLC ±0.13(.005) 4 PLC ± ANGLES ±		PRODUCT SPEC: - APPLICATION SPEC: - WEIGHT: - FINISH: -		SIZE: A CAGE CODE: C-770097 DRAWING NO: 770097-1 RESTRICTED TO: -	
MATERIAL:		CUSTOMER DRAWING		SCALE: 4:1 SHEET: 1 OF 1 REV: F	